

## ALL ST/ST DIFFERENTIAL PRESSURE GAUGE DIAPHRAGM TYPE BIPRESS 400



The differential pressure gauges series BP400, with or without filling fluid, are suitable to be installed in presence of low static pressure on chemical, petrochemical plants, onshore and offshore applications, machinery, food processing and in the pharmaceutical industry.



PED 97/23/CE  
ATEX 94/9/CE



GOST R PATTERN  
APPROVAL

ATEX and GOST R PATTERN approvals available under our **PCI TEMA** brand.

### TECHNICAL CHARACTERISTICS

**Diameters:** 150 mm (100mm as option)  
**Case and ring:** st. st. 304, bayonet type ring  
**Protection degree :** IP55 (EN60529/IEC529)  
**Transparent:** glass, thickness 4mm, gasket in neoprene  
**Movement:** st. st., reinforced  
**Dial:** aluminium with black numerals on white background  
**Pointer:** Aluminium., black painted, micrometric adjustable  
**Blow out:** EPDM, upper  
**Sensing element:** Diaphragm  
**Element material:** st. st 316L – Monel – Hastelloy C276  
**Flanges and process connection material :** AISI 316  
**Drain and venting tap :** st. st. 316  
**Shaft :** AISI316 with O-Ring gasket in VITON  
**Connection dimension:** 1/4"npt/f or 1/2"NPTM or BSP  
**Mounting:**  
 type C surface mounting, bottom connection  
 type F panel mounting, bottom connection  
**Ranges:** see table at page 2  
**Standard accuracy:** class 2,5 acc. to EN837  
**Accuracy on request :** class 1,6 acc. to EN837  
**Scale amplitude :** 180°  
**Ambient temperature limit:** -25/+65°C  
**Fluid temperature limit:** max 100°C  
**Temperature error:** 0,08%/°C in range 10/30°C  
**Construction acc. to ATEX directive 94/9/EC , gr.II**  
 cat. 2GDc (on request)

### OPTIONS AND ACCESSORIES

- Inter axes process connection 54mm
- Scale lower than 0/100mbar (0-16; 0-25; 0-40; 0-60 mbar)
- Static and one side pressure 250bar
- Static and one side pressure 400bar
- Safety glass type thickness .4 mm
- Glycerine filling for T.amb.-25/+60°C
- Silicon oil filling for T.amb.-40/+60°C
- Filling with fluorinated oil suitable for use on Oxygen and for ambient temperature -60/+60°C
- Mounting with diaphragm seals remotely
- Electrical Contacts

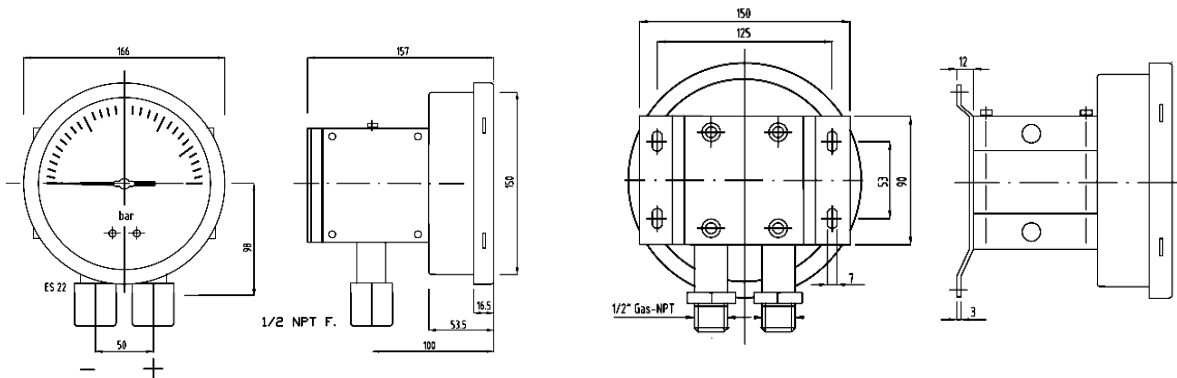
### HOW TO ORDER

Please specify : model, mounting, case diameter, range, connection, options if any

**Example:** BP400, C, 150mm, 0/2,5bar, 2x1/2"NPTM

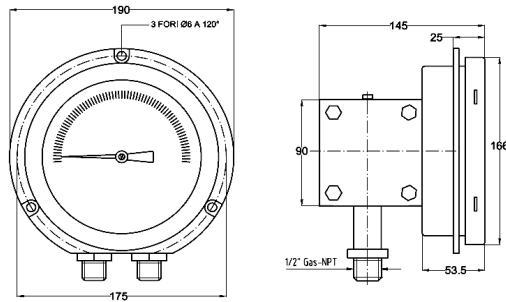
## RANGES

<b>Differential pressure</b>	<b>mbar</b>	0/100	0/160	0/250	0/400	0/600	<b>bar</b>	0/1	0/1,6	0/2,5	0/4	0/6	0/10	0/16
	<b>bar</b>	25	25	25	50	50		<b>bar</b>	100	100	100	100	100	100
<b>Static pressure on both side or only on side “-”</b>	<b>bar</b>	100	100	100	100	100	<b>bar</b>	100	100	100	100	100	100	100
<b>Static pressure on side “+”</b>	<b>bar</b>	100	100	100	100	100	<b>bar</b>	100	100	100	100	100	100	100



Weight kg 1,6

Type C: Surface mounting with back bracket



Weight kg 1,6

Type F: Panel mounting, 3 hole front flange

Case Diameter	d	d1	d2	d3	d4	d5	Weight kg
100mm	110	100	130	118	6	50	1.4
150mm	160	150	190	175	6	50	1.6