



Explosionproof enclosures



in stainless steel 316 L

Series BE
Zone 1 and 2, Zone 21 and 22





Explosionproof enclosures

Application

Explosionproof stainless steel enclosures series BE have been designed to be used under severe industrial applications in hazardous areas. They are highly corrosion resistant and meet the highest demands for water – and dustproof requirements. The enclosures are suitable for zone 1, zone 2, zone 21 and zone 22.

Standard execution

The BE series is available in 3 executions, the JBE series, CBE series and EBE series.

JBE: Junction boxes fitted with approved EExe terminals or blue EExi terminals for intrinsic safe circuits according to customer requirements.

CBE: Control- or distribution box foreseen with explosion protected components.

EBE: Enclosures for customer built applications and may be used as an instrument or apparatus box, they need further certification.

The boxes are available in several dimensions, see the selection table. However other dimensions are available upon request.

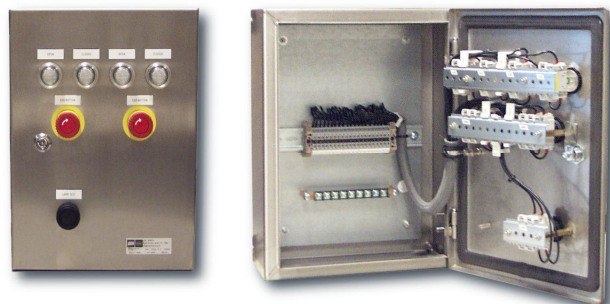


Features

- ATEX certified for gas– en dust explosion protection
- JBE series optional available UL recognized
- Enclosures are made of stainless steel 316L
- All enclosures are built according to customer specifications
- All EEx ATEX certified components may be installed in CBE enclosures
- Enclosures are available in a very extended range of dimensions
- Enclosures are fully tested in our own ATEX and UL certified facilities.

General

Electromach has 45 years of experience in supplying explosionproof equipment for the petro-chemical and offshore industry and has an ATEX production quality assurance notification (KEMA 01 ATEX Q3201).





Technical data

Type	JBE / CBE / EBE
Make	Electromach
Explosion protection (ATEX)	JBE: II 2 GD EEx e... II.. T6..T4 T 80°C...T 130°C EEx ia/ib II.. T6 T80°C
	CBE: II 2 GD EEx e... II.. T6..T4 T 80°C...T 130°C
	EBE: II 2 GD EEx e II
Explosion protection NEC 500/505 (UL) (Most JBE types are NEC 500/505 (UL) approved, see * in selection table)	Class I, Zone 1, AEx e II T6 Class I, Zone 1, Ex e II T6 (Canada) Class I, Division 2, Groups CD
Test certificate	JBE: KEMA 02 ATEX 2272 / UL: E243300 CBE: KEMA 02 ATEX 2273 EBE: KEMA 02 ATEX 2271U
Ambient temperature	JBE/CBE: Standard: - 20°C... + 40°C (T6...T4) JBE/CBE: Special: - 20°C... + 55°C (T5...T4) EBE: Standard: - 20°C... + 50°C
Degree of protection	IP 66 (Gas) or IP 6X (Dust) According to EN-IEC-60529 NEMA 4X
Material	
Enclosure	Stainless steel 316 L, thickness 1,5 mm Option: Stainless steel 304 or sheet steel-painted
Gaskets	Neoprene / Polyurethane foam
Cover fixing	
Door	Hinged Option: bolted cover
Hinges	Stainless steel 316 L
Locking device	ZAMAC, chrome plated Option: stainless steel 316 L
Rated voltage	Max. 11 kV
External ground bolt	M6 (max. 35mm ²) / AWG 2 Option: 70 mm ² / AWG 00
Terminals	Max. 300 mm ² / 600 mcm
Earth bar	Raised mounting on studs
Mounting lugs	4 holes on rear side, threaded M8 for frame mounting
Mounting bracket	Option: can be positioned horizontally or vertically, 1 set per box
Cable entries	Punched holes
Cable glands	EExe certified cable glands to be used
Glandplate	Option: removable glandplate on each side Stainless steel 316L, 3mm Stainless steel 316L, 5mm
Breather/drain	When used outdoors, a breather/drain is strongly recommended to avoid condense water.



Lay-out drawing

Selection table enclosures

Type	A	B	C	Type	A	B	C
.BE 202010*	200	200	100	.BE 8010021*	800	1000	215
203010*	200	300	100	608040*	600	800	400
303010*	300	300	100	808040*	800	800	400
203015*	200	300	150	8010040*	800	1000	400
303015	300	300	150	6012040	600	1200	400
304015*	300	400	150	6014040	600	1400	400
404015*	400	400	150	6016040	600	1600	400
406015*	400	600	150	8012040	800	1200	400
606015*	600	600	150	8014040	800	1400	400
608015*	600	800	150	8016021	800	1600	215
808015*	800	800	150				
8010015*	800	1000	150				
304021*	300	400	215				
404021*	400	400	215				
406021*	400	600	215				
606021*	600	600	215				
608021*	600	800	215				
808021*	800	800	215				

EBE
CBE
JBE

EBE
CBE
JBE

* Are NEC 500/505 (UL) approved

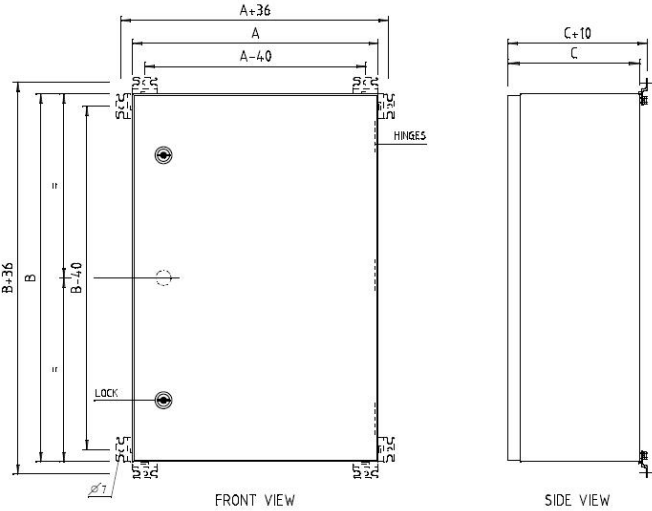
Dimensions are in mm. However other dimensions are available upon request.

Selection table gland plates

Side or B	A	Depth C	Type glandplate	No of glandplates on each side	Free space for cable glands (mm)
200	150	Gr. 3	1	±113x113	
300	150	Gr. 2	1	±110x250	
400	150	Gr. 2	1	±110x250	
600	150	Gr. 2	2	±110x250	
800	150	Gr. 2	2	±110x250	
300	215	F6	1	246x151	

continued

Side or B	A	Depth C	Type glandplate	No of glandplates on each side	Free space for cable glands (mm)
400	215	F7	1	306x151	
600	215	F8	1	426x151	
800	215	F7	2	306x151	
600	400	F9	1	426x207	
800	400	F25	1	634x207	
1000	400	F9	2	426x207	



ELECTROMACH B.V.
Jan Tinbergenstraat 193
7559 SP Hengelo, The Netherlands
Tel: +31 (0) 74 2 472 472
Fax: +31 (0) 74 2 435 925
E-mail: info@electromach.nl

www.electromach.com

STAHL N.V.
Sint-Gillislaan 6 bus 3
9200 Dendermonde (Sint-Gillis), België
Tel: +32 (0) 52 211 351
Fax: +32 (0) 52 211 347
E-mail: info@stahl.be

www.stahl.be

