

COMPATIBILITY

- While there are differences in the types of die head, the dies for 1½" to 4" machines are mostly interchangeable.
- The ½" to 2" Manual DH, Uni-auto DH, NV-auto DH and Self-opening DH are compatible with the 50A, 80A and 100A.
- You can also attach REX portable groovers.

- The cutter wheels for the 40A, 50A, 80A, 100A and 150A are compatible.



Portable Groover M



Portable Groover H



16K030



Manual DH

Uni-auto DH

NV-auto DH



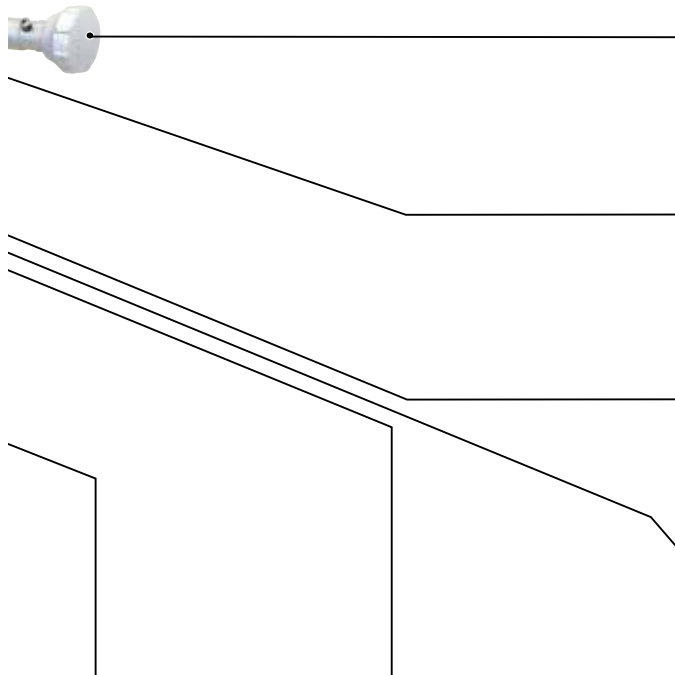
50A



80A



100A



- The reamer shaft has a long enough stroke to reach the pipe wherever it is, so reaming is very easy.

- Round cone stabilises reaming. (2 blades)

- You can regulate the amount of cutting oil so you needn't worry about it splashing about where you don't want it to.

- Two-step blade provides a stable bite allowing you to remove any external coating and cut the pipe at the same time (BSPT only).



- Carriage handle has four spokes for an easy, secure grip.



- Self-oiling function allows you to forget about oil flow when working with the machine.



USER FRIENDLY