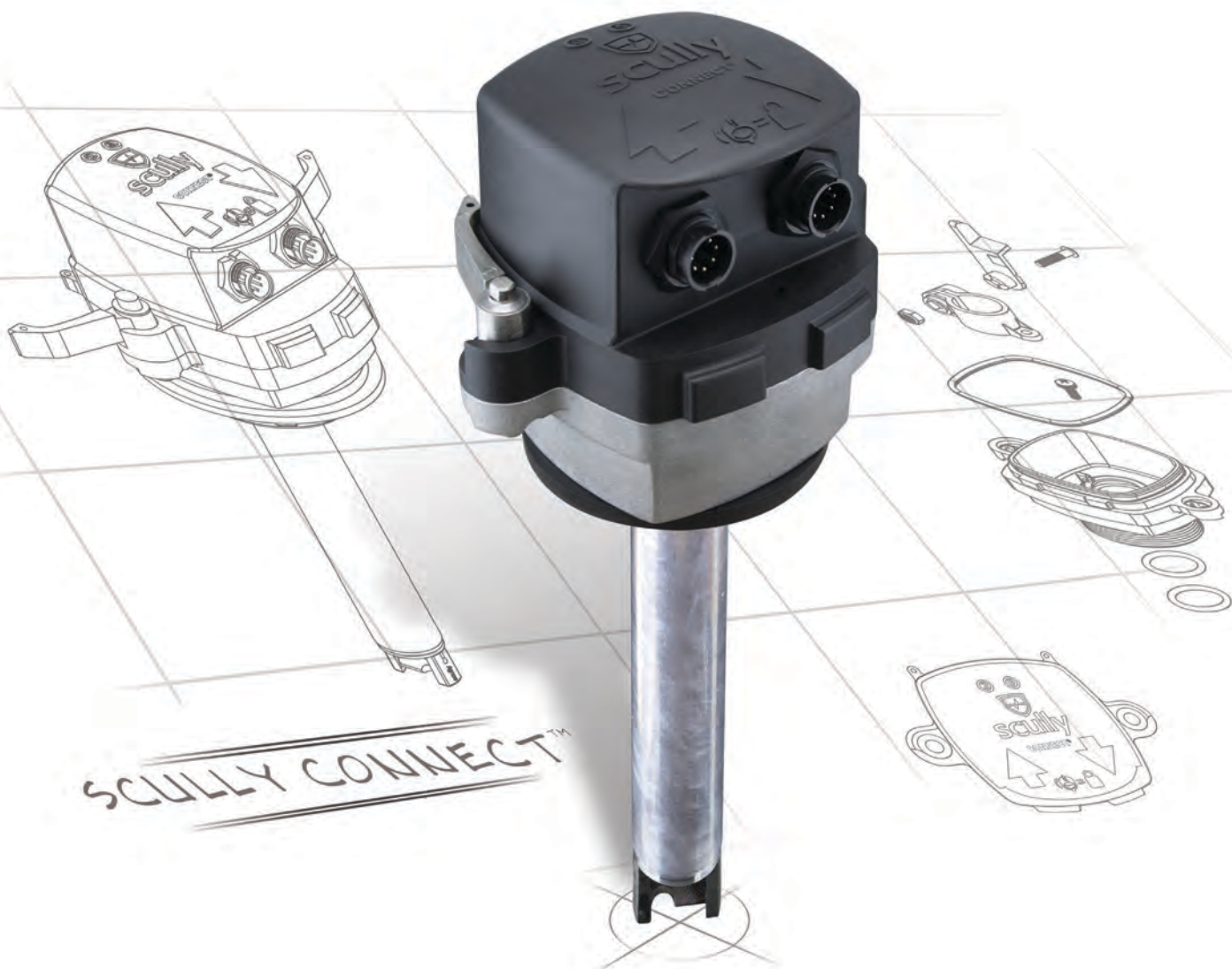


SCULLY CONNECT™

Tank Truck Overfill Sensor & Quick Connect System



Safety Made Simple



Controlling Fills & Eliminating Spills

Innovative, Time Saving Overfill Prevention

Pre-wired sensor saves time and prevents mis-wiring (choice of 2-wire or 5-wire sensor)

Rugged handles – no tools required!

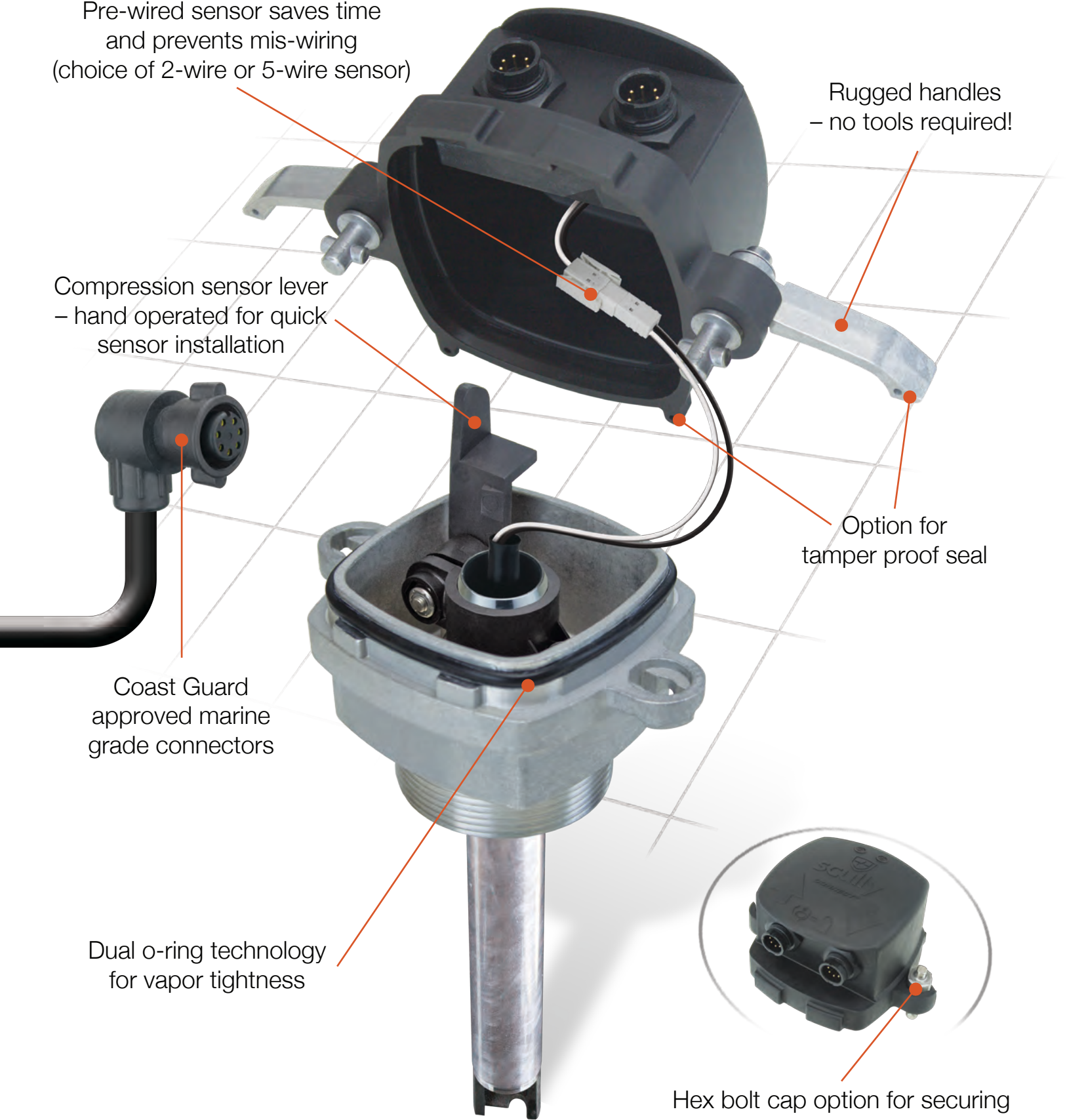
Compression sensor lever – hand operated for quick sensor installation

Option for tamper proof seal

Coast Guard approved marine grade connectors

Dual o-ring technology for vapor tightness

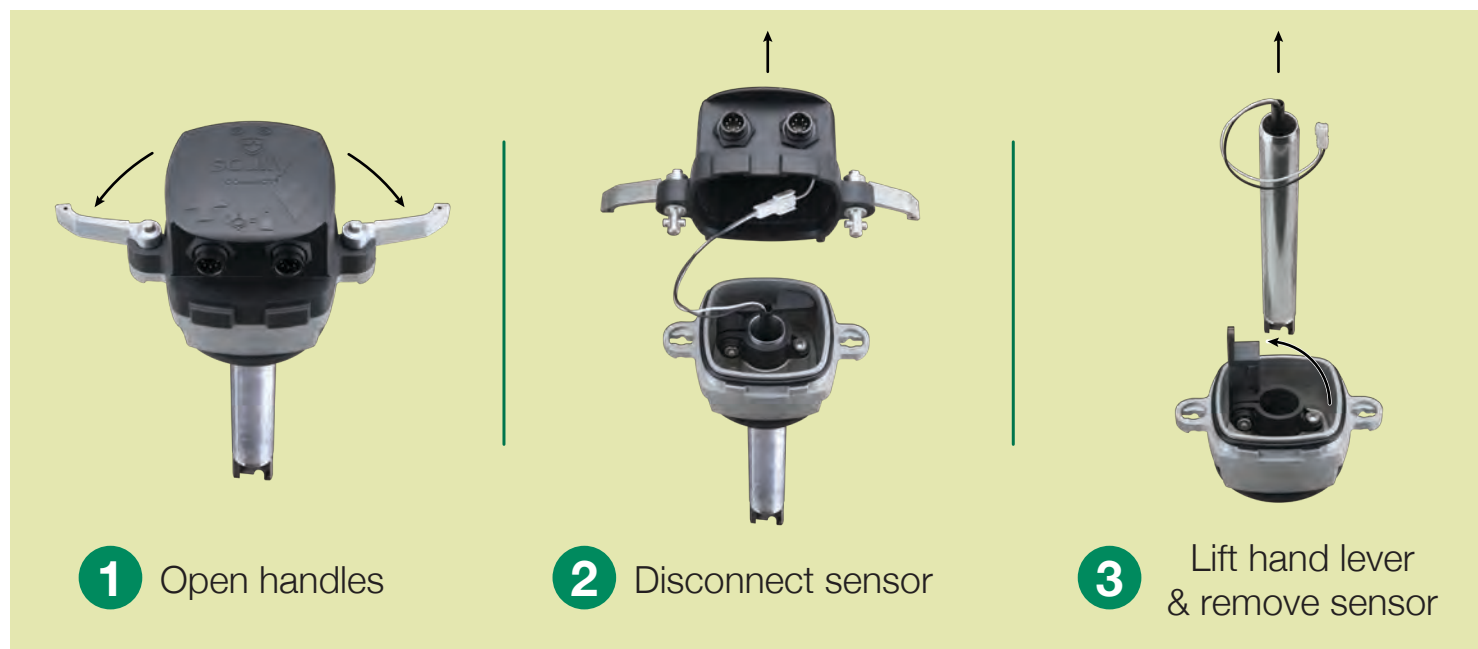
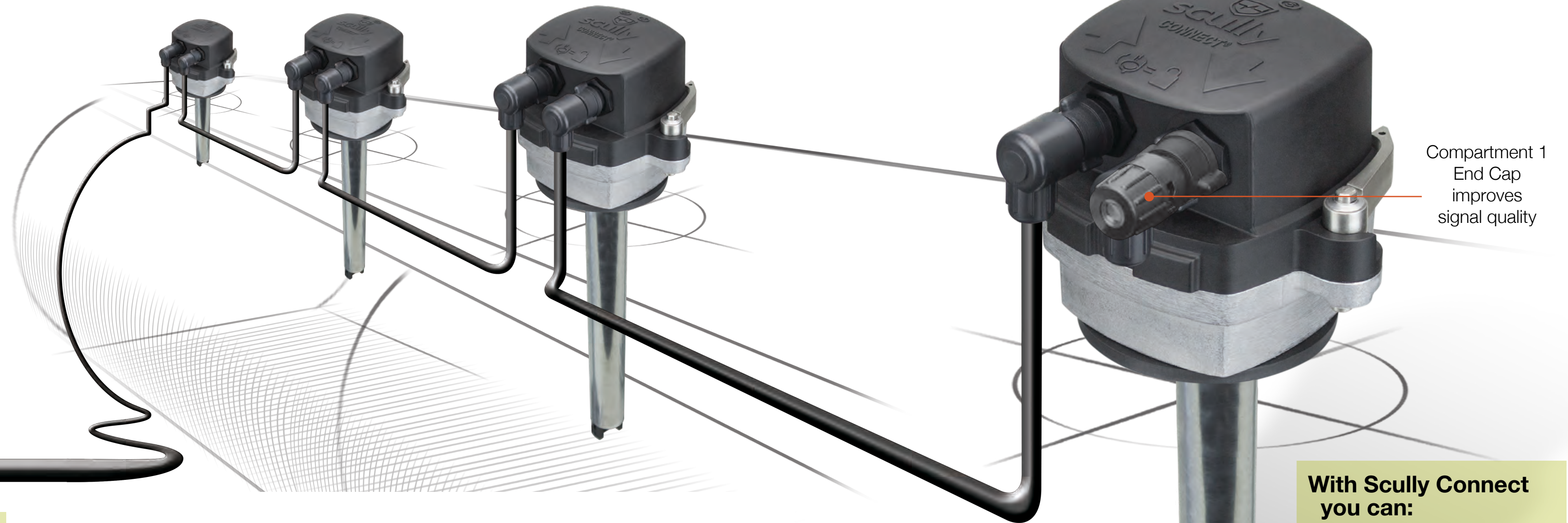
Hex bolt cap option for securing caps with limited clearance



Your Quick Connection to Safety, Reliability and Savings

The Scully Connect™ system delivers:

- **Unmatched Safety** - with the industry's longest record of no unsafe failures.
- **Proven Reliability** - in all road and weather conditions with Scully's existing patented sensor technology.
- **Immediate Savings** - with quick, easy pre-wired sensor and simple, error-free lightweight cable connections.
- **Dependable Performance** - with corrosion proof connectors, easy sensor adjustment and enhanced vapor tightness.



Scully Connect™ is engineered to keep your fleet on the road

Fewer connections reduce the risk of failure points and increase reliability

The Scully Connect™ Overfill Prevention System allows for quick, easy, tool-less and error-free installation of your overfill prevention system. It will save hours of installation time, prevent wiring mistakes, and allow for trouble-free connections.

The pre-wired sensor features quick connectors for simple sensor installation and replacement. The design also includes a lever that allows for tool-less sensor height adjustment without corrosion issues. The sensor, cap, and cable have been extensively laboratory and field tested- for two years- to withstand extreme environmental conditions.

Proven Scully sensor technology features patented thermal stress prevention design for excellent reliability in temperature extremes

With Scully Connect you can:

- Replace sensors easily and quickly—no time-consuming and confusing wire splicing
- Adjust the sensor with a simple, hand-operated lever
- Lock the sensor cap with optional wire seal to prevent sensor tampering
- Protect your operation with Scully: the first, and best, name in tank loading safety

Install and replace your sensor in minutes! No wire stripping and no tools!



www.scully.com/scullyconnect



Controlling Fills & Eliminating Spills

Engineered for Safety. Built for Quality. Tested for Performance.



A History of Innovation & Safety

As a family of innovators, we have been pioneering unparalleled fail-safe overflow prevention technology for 80 years. At Scully, safety is a way of life- because lives literally depend on it.



Engineered and Tested for the Long Haul

There is a reason that the name Scully is synonymous with dependability. We design our own equipment and specify only the highest quality components. Then we put our systems through rigorous in-house and external laboratory testing to ensure that they withstand extreme conditions and exceed the latest DOT, RoHs and hazardous environment requirements.



Manufactured in the USA at Scully's factory

We believe in controlling the complete process of building and inspecting our products in-house, under one roof. That means we prefer local suppliers, US materials and Scully employees at our factory to make the product we can be proud to put the Scully name on.



We listen. We deliver.

You, our customer is the reason we exist. We try to live each day by listening to your needs, responding with product enhancements and providing the best service in the industry. We have trained experts on the phone to help you install and troubleshoot Scully systems and our sales and service team is ready to respond quickly to your needs and deliver our products on time.



1 800 272 8559

www.scully.com